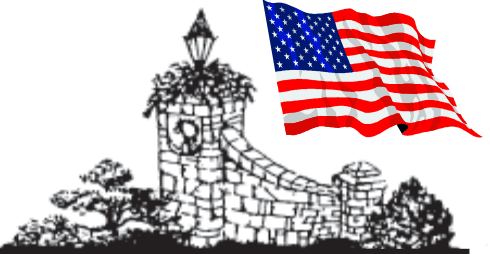
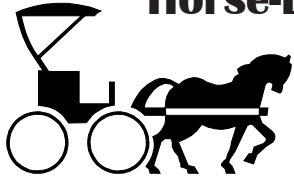


the Villager



The Publication of your MINERVA PARK COMMUNITY ASSOCIATION

Horse-Drawn Carriage Rides in MP



Again this year, in an effort to recreate an "Olde Fashioned Village Christmas," your Community Association has arranged for horse-drawn carriage rides through the village. This is free to all residents and their guests, but reservations are required. Children must be accompanied by an adult. Meet at the Community Building for hot chocolate, donuts, a bonfire, and Christmas caroling.

Although we are unsure of the route (it's dependent on how many reservations we receive), it would be terrific if homeowners from Berry Lane Court to Cardinal Court could decorate their yards — it would add to the festive holiday spirit. And we request that no cars be parked on the streets.

Sunday, December 21
5:30p - 8:30p

Reservations Required

Deadline Dec 19, 9:00p. Mail or deliver written reservations to:
Lynn Eisentrout
2753 Wildwood Rd. 43231
Phone reservations or written reservations dropped off at the Community Building cannot be accepted.

Names & Ages of Participants

Preferred Times (not guaranteed)

Phone #



Special Council Meeting

By Pam Park-Curry

December 1
8:00p



Last Leaf Pick-up

December 1

How did we do this year on leaf pick-up? Mail your comments to Pam Park-Curry, 2559 Lakewood Drive.

See you next year!

Donations Accepted

———— Light Supper ————

We are planning a light supper, like the one last year, and we need volunteers to bake sweets and assist with food serving & clean-up. Please call **Marty Matunas** at

891-3024 to volunteer. If you are not participating in the Carriage Rides, please join us for refreshments at the Community Building from 5:50p to 8:30p.

DECEMBER DATES

- 1 Last Leaf Pick-Up
- 1 (8:00p) Sp. Council Meeting
- 4 (7:30p) Planning & Zoning
- 8 (8p) Council Meeting
- 10 (7:30p) MPCA Meeting
- 10 Moms Group
- 17 (5p) Villager Deadline
- 21 (2-4p) Children's Party

MPCA News

Children's Halloween Party

The Halloween Party was well attended and well staffed this year, with a diverse group of costumes, including children and adults. Thanks to **Tammy Creamer & family** for chairing this event, and to all the volunteers who set up, tore down, baked, and staffed the event. Without your time, these events are not possible.

Marilyn Herboltzheimer at 882-0455. If you have not paid your dues, an envelope has been provided for your convenience.

Childrens Christmas Party

Sunday, December 21
2:00p - 4:00p

This event is open to MP resident children and their house guests and MP grandchildren - up to 10 years of age. Lindsay Allen has stepped forward to chair this event. She has experience as an activities director, but she will need lots of help. Set up, baking, and activity monitors are urgently needed. Call Lindsey at 895-9632 to volunteer for the Children's Christmas Party!

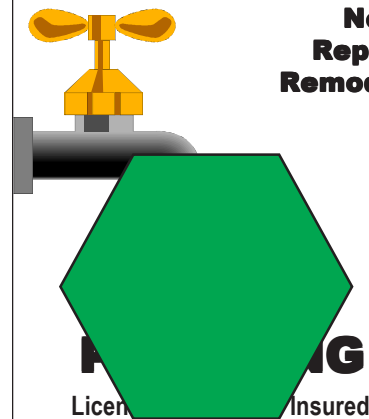
MPCA Membership Drive

The annual membership drive is winding down. Many thanks to all the volunteers who canvassed the streets to distribute directories and collect the \$10 dues. These dues help support several MPCA-sponsored activities in our Village. If you have not received your directory, contact

MP Moms Group

Meeting the 2nd Wednesday of the month, an informal group promotes friendships of both children and adults in MP. Please call **Ann Roderer** at **895-6731** if you are interested in joining.

New Repair Remodel



Robert Price
554-4479



Annual

Festival of Lights

Contest Rules

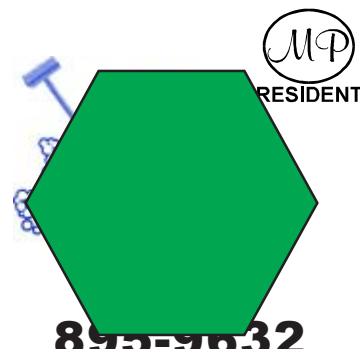
Time to bring out the lights and dress Minerva Park for the holidays! The judging for this year's contest will be during **December 15-25**, weather permitting. First place winners will be selected in five categories:

- ✦ Best Outdoor Tree
- ✦ Best Religious Theme
- ✦ Best Entranceway
- ✦ Best Whimsical Display
- ✦ Best Outline Effect

Winners will receive a gift certificate from a local nursery. Winners and runners-up will be honored in the Villager. Households that won last year are ineligible. Judges typically include previous winners of the contest and may also include adults, teenagers, and children who reside in Minerva Park. If you are interested in being a judge, contact **Greg & Natalie Wittmann, 523-2178**.



Squeaky Clean of Westerville



895-9632
Power Washing - Hot & Cold
Painting - All Interior & Exterior Surfaces

The Ohio State Football 2002 National Championship Display Now Open!

- Pictures taken with the National Championship trophies with proceeds going to the OSU scholarship fund
- Giant full-color wall montage
- Artifacts from the season
- Sp...
- Re...
- Bru...
- Much...



Display Located at the Buckeye Hall of Fame Cafe!





 1421 Olentangy River Road
Columbus, Ohio 43212
291-2233

Thank You


Thank you for putting your faith in me as your next mayor. The next four years of service to Minerva Park hold great promise. Whenever you have any concerns, I will be available to you.

Many people contributed their time, energy, and contributions to my campaign—to them, I am particularly grateful.

Lynn Eisentrout

HANDMADE SOAP

Beverly Farmer **898-0510** Gifts!


RESIDENT

Orders for Goats Milk
Several Shapes, Colors, & Scents

WATKINS


 ESTABLISHED 1868
QUALITY



RESIDENT


Watkins Associate
Jimmy Dill
Ireland Ave.
574-0333

JIM HUGHES ROOFING

Seamless Gutters
2777 Wild


882





RESIDENT

Work Guaranteed
Fully Insured ■ Fr


TIM the HANDYMAN



RESIDENT


RESIDENT


General Home Repairs
Maintenance
Painting & Electrical
Ceiling Fans
Gutters
Door Openers
Buy It - I Install It!
Handy, top to bottom,
inside or outside

777-4806




RESIDENT
for 19 years!
Michael Rosati
See the Difference"

\$200 OFF ANY ORDER OF \$50 Exp 1-31-04 080-220



5-0111

Northland Plaza

Not valid with any other coupon or offer. Coupon good at Northland Plaza location only. Coupon must be presented at time of purchase. MPCA Villager 12-03.



**Minerva Park
Police**

- 10-4 .. 6:22p, Cash Advance, 5272 Cleveland Ave., false alarm
- 10-8 .. 1:00p, Hawthorne Elementary, 5001 Farview Rd., assault
- 10-9 .. 8:00a, 2900 blk Berry Lane Court, missing person
- 10-12 5:33p, following a traffic stop at Cleveland Ave., Northland Plaza Dr., recovered stolen vehicle with stolen property inside
- 10-13 Hawthorne Elementary, ethnic intimidation; menacing report filed
- 10-15 1:46p, 5266 Cleveland Ave., stolen property recovered
- 10-17 2:15p, 2700 blk Woodley, telephone harassment reported
- 10-19 2:32p, 2600 blk Woodley Rd., missing person
- 10-27 3:01p, Hawthorne Elementary, child abuse reported
- 10-29 3200 blk Minerva Lake Rd., criminal damaging

UPDATE

In November's Villager, we reported that Loree Cox, candidate for Clerk-Treasurer, distributed literature that may have been in violation of Ohio Revised Code and that complaints had been filed against her with the Ohio Elections Commission. The Commission found probable cause to conduct a hearing on the matter. At that hearing, evidence was presented that showed there were no "inappropriate activities" in the Clerk-Treasurer's office. The Commission also found no violation on Loree Cox's part for the wording in her campaign literature.

Renos

Floral & Gift Gallery

Fresh Floral Arrangements
Floral T... Work

OF ... P
Mon-Fri ...
City-Wide Delivery

899-9189

899-2382 fax

Collectibles • Gift Baskets • FREE Wedding Consultation

ROOFING	WINDOWS	SIDING
<p style="text-align: center;">10% up to \$500 OFF</p> <p style="font-size: 8px;">New roofs, re-roofs, repairs & tune-ups, shingle, tile, slate, rubber, flat, metal, etc. Offer good off regular prices. Coupon must be presented at time of estimate. Limited offer. Call for details.</p>	<p style="text-align: center;">\$50 OFF each window</p> <p style="font-size: 8px;">Choose casement, exterior, regular, etc. Offer good off regular prices. Coupon must be presented at time of estimate. Limited offer. Call for details.</p>	<p style="text-align: center;">10% up to \$250 OFF</p> <p style="font-size: 8px;">Vinyl siding, soffit, fascia, trim work, etc. Offer good off regular prices. Coupon must be presented at time of estimate. Limited offer. Call for details.</p>
<div style="display: flex; justify-content: space-between; align-items: center;"> <div style="border: 1px solid black; padding: 5px;"> <p style="background-color: black; color: white; padding: 2px;">MASONRY</p> <p style="text-align: center;">10% OFF up to \$500 off</p> <p style="font-size: 8px;">Chimney work, tuckpointing, stucco & stone work, repair, etc. Offer good off regular prices. Coupon must be presented at time of estimate. Limited offer. Call for details.</p> </div> <div style="text-align: center;"> <p style="font-size: 12px;">ableroof.com</p> <p style="font-size: 24px; font-weight: bold;">ABLE</p> <p style="font-size: 14px;">614-444-7663</p> </div> </div> <p style="text-align: center; font-size: 10px;">"Over 40,000 Satisfied Customers"</p>		
<div style="background-color: black; color: white; padding: 10px; font-size: 24px; font-weight: bold;">444-ROOF</div>		

Breakfast Stromboli

for holiday parties
any size group

choose from ... eggs, sausage, ham, bacon, onions, green peppers, mushrooms, tomatoes ...

HAPPY HOLIDAYS!

Thank you for a great year!

Dirk & Terry

\$3 off

purchase of
\$10 or more

Delivery charge \$1
Good thru 1-5-04
Not good with
any other offer

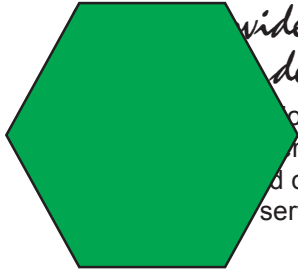
DIRK'S
PIZZA

882-5144

www.dirkospizza.com



Debbie DeWeese
890-1452 h
291-4663 w



...side you the
...deserve!"

...on to clients
...r service
...d of integrity
...service



the Villager

<http://www.dev-bureau.com/access.asp>
username = mpca
password = villager

Medic 119 ...

Where are you?

October 2003

In October, Medic 119 made 26 runs - 6 into Blendon Township (exclusive of MP) and 2 into Minerva Park; 15 patients were transported to hospitals.

Members volunteered a total of 362 hours for the month, bringing the total for the year-to-date to 3,851. Leading volunteers for the month were **Wayne Miller** (74 hours), **Eric Johnson** (60 hours), and **Mike Ostrander** (38 hours).

MP Runs

- 10-5 .. Ill person
- 10-17 Unconscious person



Angela's Pizza

Carry-out
or
Delivery

Pizza • Beer • Wine

882-8525 or 882-8
5590 Cleveland A
Just South of Route 16

Pizza

	Small 11"	Medium 13"	Large 15"
Cheese	6.40	8.40	10.40
Pepperoni	6.40	8.40	10.40
Green Pepper	6.40	8.40	10.40
Onion	6.40	8.40	10.40
Hot Pepper	6.40	8.40	10.40
Olives (blk, grn)	6.40	8.40	10.40
Sausage	6.40	8.40	10.40
Mushrooms	6.40	8.40	10.40
Ham	6.40	8.40	10.40
2 items	7.40	9.40	11.40
3 items	8.40	10.40	12.40
4 items	9.40	11.40	13.40
5 items	10.40	12.40	14.40
Extra items, each	1.00	1.20	1.30

Other toppings:
Bacon,
Hamburger, &
Pineapple



MP Villager Coupon

2 ITALIAN SUBS

only \$ **6⁹⁵**

Limit one coupon per order.

Angela's Pizza Coupon.
Not valid with any other offer.
Expires 1-15-04.

MP Villager Coupon

LG 3-item PIZZA

only \$ **10⁴⁵**

Limit one coupon per order.

Angela's Pizza Coupon.
Not valid with any other offer.
Expires 1-15-04.

MP Villager Coupon

1-item PIZZA

only \$ **8⁷⁵**

Limit one coupon per order.

Angela's Pizza Coupon.
Not valid with any other offer.
Expires 1-15-04.

MP Villager Coupon

MED 3-item PIZZA

only \$ **8⁴⁵**

Limit one coupon per order.

Angela's Pizza Coupon.
Not valid with any other offer.
Expires 1-15-04.

MP Villager Coupon

2 ITALIAN SUBS

only \$ **6⁹⁵**

Limit one coupon per order.

Angela's Pizza Coupon.
Not valid with any other offer.
Expires 1-15-04.

MP Villager Coupon

LG 1-item PIZZA

only \$ **8⁷⁵**

Limit one coupon per order.

Angela's Pizza Coupon.
Not valid with any other offer.
Expires 1-15-04.

Minerva Park the Villager

Minerva Park Community Association
2829 Minerva Lake Road
Columbus OH 43231

PRSRT STD
U.S. Postage
PAID
Permit No. 393
Westerville, Ohio

Dated material.
Deliver by Nov 28.

Advertise in *the Villager* ... **899-3755**
Ads start at \$15 - discount on 6-month contracts

the Villager Staff

Editor Marty Matunas, 891-3024
Layout & Design Sharon Bierman, 899-3755
sbierman@columbus.rr.com ... 899-7731 fax

The *Villager* is mailed to all MP homes for delivery by the 1st Monday of each month. Residents are invited to submit articles & other items of interest. Use the drop box inside the front door at the Community Building. The *Villager* reserves the right to refuse publication of any item submitted. All items presented for publication must include the contributor's signature and phone number. The *Villager* is online at:

<http://www.dev-bureau.com/access.asp>
username = mpca password = villager

Next deadline:
Wednesday, December 17, 5:00 p.m.

Thinking of Selling Your Home?

Here's a Reason to Call
BONNIE LIMES
891-0180 or 882-5313

*"My Professional Goal is to Exceed
Your Expectations with a Genuine
Commitment to Your Best Interests."*

- Longtime Resident of Minerva Park
- Selling Homes in Minerva Park for the past 20 Years
- Past President of the Minerva Park Area Realtors Association
- Member of the Columbus Board of Realtors and the Realtors Club



Bonnie Limes
CRS, GRI



Joe Walker & Assoc.



RESIDENT
for 40 years!